



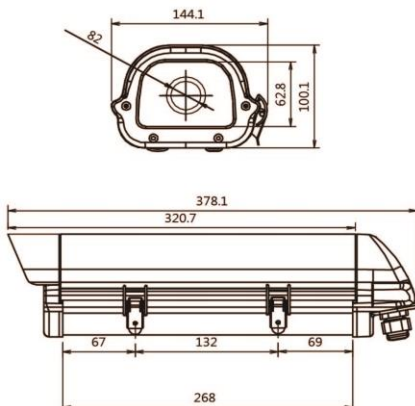
HHC-HH290P

HD ANALOG 1080P / 3D-DNR / WDR / TDN
CMOS COLOR IR HOUSING CAMERA

FEATURES

- 1/2.9" 2.1Megapixel SONY Exmor CMOS
- 1080P AHD, TVI, CVI & CVBS Solution
Option : 1080P EX-SDI(HD-SDI)
- Min. Illumination of 0.001Lux(Sense-up x8)
- True Day & Night
- Defog(Visibility enhancement on the low contrast scene)
- 2D & 3D Digital Noise Reduction
- Motion Detection, Privacy Masking (16 Zone)
- 90pcs IR LED(90m)
- Fixed Lens 6mm
- IP66 Weatherproof
- Option : OSD Controller

DIMENSION



CAMERA SPECIFICATIONS

Signal Format	NTSC/PAL
Image Sensor	1/2.9" 2.1Mega pixel SONY Exmor CMOS
Effective Pixels	1984(H) x 1092(V)
Scanning System	Progressive Scan
Resolution	1920 x1080p @ 30fps (CVBS : 1000TVL)
Min. Illumination	Color : 1.0 lux/BW : 0.5 lux Color sense-up : 0.001 lux (sense-up x8)
Electronic Shutter Speed	AUTO / FLK NTSC : 1/30~1/50,000sec PAL : 1/25~1/50,000sec
S/N Ratio	More than 50dB (AGC off)
Backlight Compensation	OFF / BLC / BLC / WDR
White Balance	ATW / AUTOEXT / PRESET / MANUAL
2D + 3D DNR	OFF / LOW / MIDDLE / HIGH
Day & Night	AUTO / COLOR / BW / EXT
Sense-up	x2 ~ x8
D-WDR	ON / OFF
Motion Detection	ON / OFF
Privacy Masking	16 Zone
Defog	ON / OFF
D-EFFECT	MIRROR / D-ZOOM / FLIP
Communication	Coaxial Comm..
Lens	Fixed Lens 6mm
Power Supply	DC 12V ±30%
Power Consumption	Max. 12.8W
Operating Temperature	-10°C ~ +50°C (Humidity : 0%RH ~ 80%RH)
Dimension	144.1(W) x 100.1(H) x 378.1(D)mm
Weight	Approx. 1.1g(W/Sunshield & Bracket)